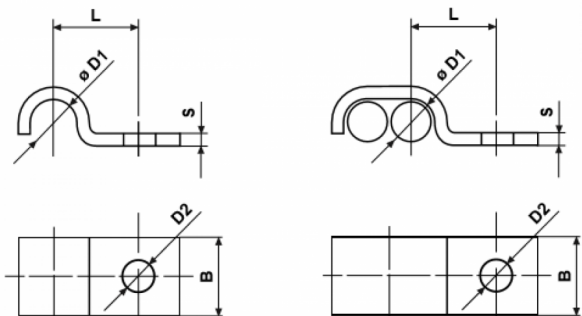


# Bevestig en bescherm materialen

## BUISCLIP EENZIJDIG



Artikelnummer	B	Materiaal	d1	s	d2	Aantal / Slang mm
1110-0000-0401	10	Steel zinc-plated	4	1	4.8	1 x 4 mm
1110-0000-1201	12	Steel zinc-plated	12	1.5	5.8	1 x 12 mm
1110-0000-0402	10	Steel zinc-plated	4	1	4.8	2 x 4 mm
1110-0000-0602	10	Steel zinc-plated	6	1	4.8	2 x 6 mm
1110-0000-0802	10	Steel zinc-plated	8	1	4.8	2 x 8 mm
1110-2000-0401	10	Stainless steel	4	1	4.8	1 x 4 mm
1110-2000-0801	10	Stainless steel	8	1	4.8	1 x 8 mm
1110-2000-1001	10	Stainless steel	10	1	4.8	1 x 10 mm