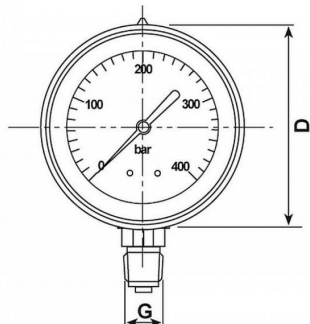


Accessoires

MANOMETER



Bestelnummer	Uitvoering	Materiaal	Omschrijving	Druk (bar)	G
1255-0000-0000	Lower mount	Steel	Manometer 63 1/4 OA -1-0	-1 to 0	R1/4
1255-0000-0010	Lower mount	Steel	Manometer 63 1/4 OA 0-10	0 - 10	R1/4
1255-0000-0016	Lower mount	Steel	Manometer 63 1/4 OA 0-16	0 - 16	R1/4
1255-0000-0025	Lower mount	Steel	Manometer 63 1/4 OA 0-2,5	0 - 25	R1/4
1255-0000-0040	Lower mount	Steel	Manometer 63 1/4 OA 0-40	0 - 40	R1/4
1255-0000-0041	Lower mount	Steel	Manometer 63 1/4 OA 0-40 SLEEP	0 - 40	R1/4
1255-0000-0060	Lower mount	Steel	Manometer 63 1/4 OA 0-60	0 - 60	R1/4
1255-0000-0100	Lower mount	Steel	Manometer 63 1/4 OA 0-100	0 - 100	R1/4
1255-0000-0160	Lower mount	Steel	Manometer 63 1/4 OA 0-160	0 - 160	R1/4
1255-0000-0250	Lower mount	Steel	Manometer 63 1/4 OA 0-250	0 - 250	R1/4
1255-0003-0250	Lower mount	Plastic	Manometer 63 1/4 OA 0-250 (plastic)	0 - 250	R1/4
1255-0000-0251	Lower mount	Steel	Manometer 63 1/4 OA 0-250 SLEEP	0 - 250	R1/4
1255-0000-0252	Lower mount	Steel	Manometer 63 1/4 OA 0-250 SKF	0 - 250	R1/4
1255-0000-0400	Lower mount	Steel	Manometer 63 1/4 OA 0-400	0 - 400	R1/4
1255-0002-0400	Lower mount	Steel	Manometer 63 1/4 OA 0-400 SKF (green/red)	0 - 400	R1/4
1255-0000-0600	Lower mount	Steel	Manometer 63 1/4 OA 0-600	0 - 600	R1/4
1255-0000-1000	Lower mount	Steel	Manometer 63 1/4 OA 0-1000	0 - 1000	R1/4
1255-0001-0000	Rear mount	Steel	Manometer 63 1/4 AA 0-0.6	0 - 0.6	R1/4
1255-0001-0001	Rear mount	Steel	Manometer 63 1/4 AA 0-1	0 - 1	R1/4
1255-0001-0002	Rear mount	Steel	Manometer 63 1/4 AA 0-2.5	0 - 2.5	R1/4
1255-0001-0003	Rear mount	Steel	Manometer 63 1/4 AA -1+3	0 to 3	R1/4

Bestelnummer	Uitvoering	Materiaal	Omschrijving	Druk (bar)	G
1255-0001-0006	Rear mount	Steel	Manometer 63 1/4 AA 0-6	0 - 6	R1/4
1255-0001-0010	Rear mount	Steel	Manometer 63 1/4 AA 0-10	0 - 10	R1/4
1255-0001-0025	Rear mount	Steel	Manometer 63 1/4 AA 0-25	0 - 25	R1/4
1255-0001-0040	Rear mount	Steel	Manometer 63 1/4 AA 0-40	0 - 40	R1/4
1255-0001-0060	Rear mount	Steel	Manometer 63 1/4 AA 0-60	0 - 60	R1/4
1255-0001-0101	Rear mount	Steel	Manometer 63 1/4 AA 0-100 (with flange)	0 - 100	R1/4
1255-0001-0160	Rear mount	Steel	Manometer 63 1/4 AA 0-160	0 - 160	R1/4
1255-0001-0250	Rear mount	Steel	Manometer 63 1/4 AA 0-250	0 - 250	R1/4
1255-0001-0400	Rear mount	Steel	Manometer 63 1/4 AA 0-400	0 - 400	R1/4
1255-0001-0401	Rear mount	Steel	Manometer 63 1/4 AA 0-400 SKF	0 - 400	R1/4
1255-0001-0402	Rear mount	Steel	Manometer 63 1/4 AA 0-400 (with flange)	0 - 400	R1/4
1255-0001-0600	Rear mount	Steel	Manometer 63 1/4 AA 0-600	0 - 600	R1/4
1255-0001-1000	Rear mount	Steel	Manometer 63 1/4 AA 0-1000	0 - 1000	R1/4